

# TL DMX SP-8

8 way isolated DMX splitter



**DMX-512 8 way fully isolated Splitter**

**Flexible hardware configuration**

**Isolation greater than 500VAC**

**19" rack, or wall mount**

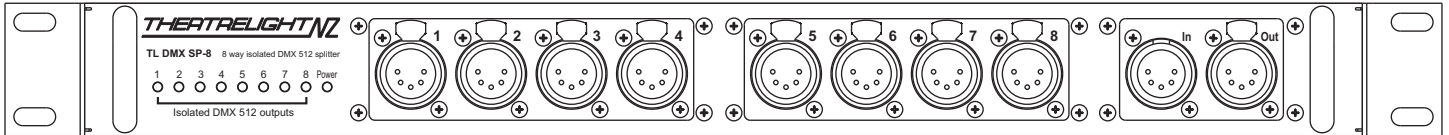
**E-mail: [info@theatrelight.co.nz](mailto:info@theatrelight.co.nz)**  
6 Rowe St., Onehunga, Auckland, New Zealand  
Tel: 64-9-622 1187, Fax: 64-9-636 5803  
**Web: [www.theatrelight.co.nz](http://www.theatrelight.co.nz)**

***THEATRELIGHT NZ***

**Manufacturer of Theatre Lighting Control Systems**

## 8 way isolated DMX splitter

# TL DMX SP-8



The Theatrelight 8 way DMX splitter is designed to allow the user to configure the input and output connector positions to suit different applications.

DMX input and thru connectors are mounted on a movable panel and both DMX outputs 1-4 and outputs 5-8 are also on separate movable panels.

Each of the 3 panels can be mounted on the front or rear of the splitter box. All panels plug into a common motherboard, and additional panels can be supplied for 3 pin XLR or other non-standard connectors where required. This is useful for rental applications as the splitter can be quickly configured to suit each job.

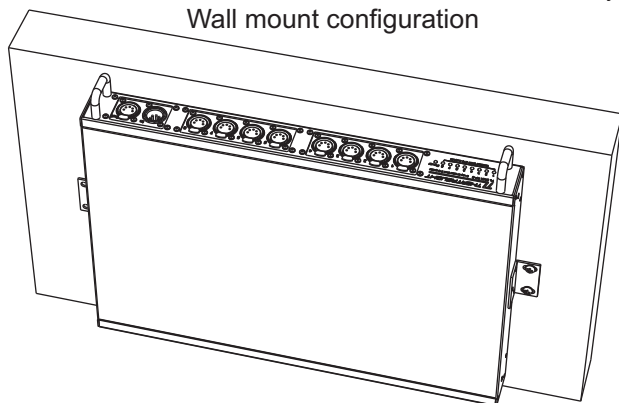
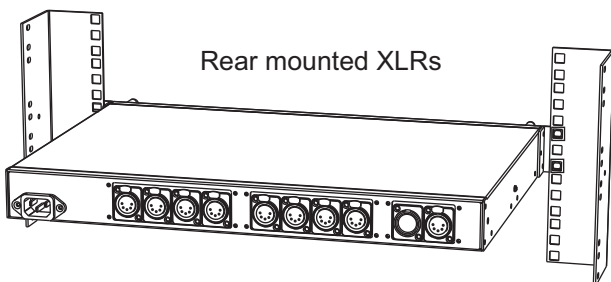
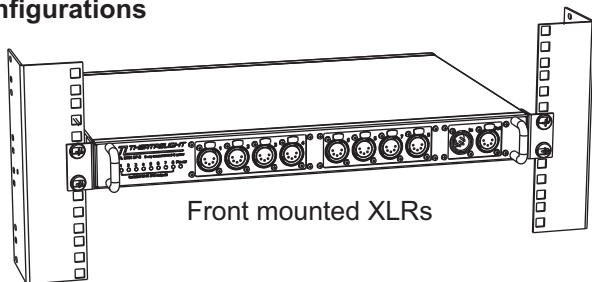
The splitter can also be supplied with internal plug-in screw connectors to allow for a permanently wired installation without the use of XLR connectors.

Inputs and outputs are true RS-485 rated, and no microprocessors are used for maximum reliability.

### Features:

- Fully compliant to DMX-512 (1990) specification.
- 5 pin XLR input and loop through
- DMX in and DMX through can be front or rear mounted by user
- Input isolated from outputs to 500VAC, 1000VDC
- Outputs are isolated from each other to 500VAC, 1000VDC
- 8 outputs with 5 pin XLR sockets fitted as standard
- Universal mount XLRs allows easy change to 3 pin XLRs if required.
- 3 pin XLR option or upgrade available
- 8 front panel LEDs indicate DMX status at each output

### Configurations



### Specifications

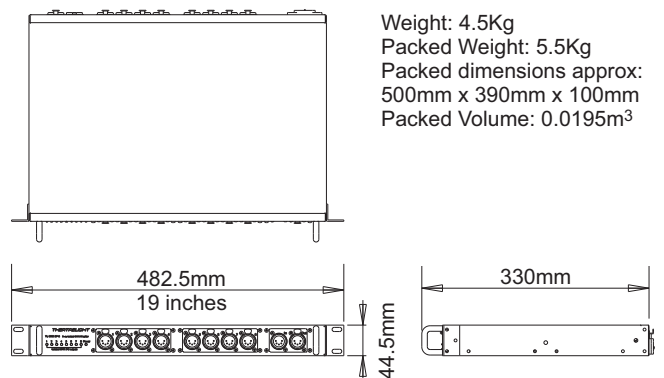
#### Power:

Mains supply, 90-250 VAC 50/60hz  
Power input on rear panel via IEC connector  
Front panel LED power indication

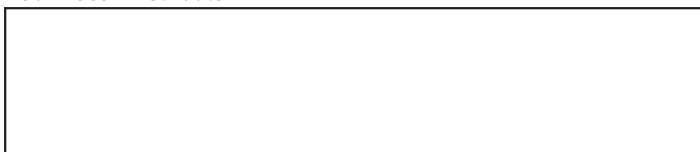
#### Construction:

1 U (44.5mm) high 19 inch rackmount construction  
Removable rack mount wings  
Rack mount wings can be mounted front or rear  
Black powder-coated finish  
All DMX XLR connectors quality Neutrik brand

#### Dimensions:



Your Local Distributor:



## **THEATRELIGHT NZ**

Theatrelight Ltd, 6 Rowe St. Onehunga, Auckland, New Zealand  
Tel: 64-9-622 1187, Fax: 64-9-636 5803  
Internet: [www.theatrelight.co.nz](http://www.theatrelight.co.nz), e-mail: [info@theatrelight.co.nz](mailto:info@theatrelight.co.nz)